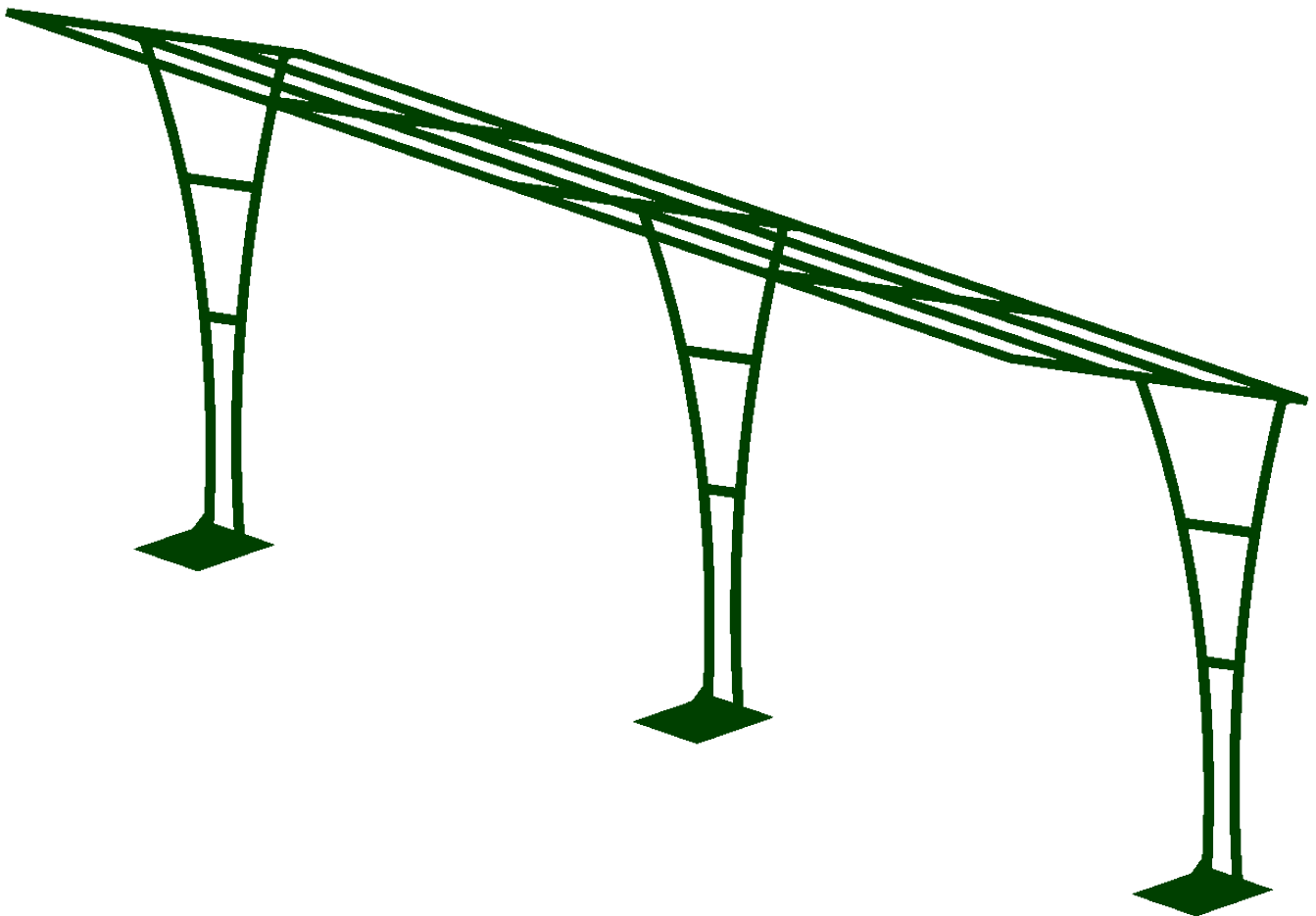


# Assembly Instructions

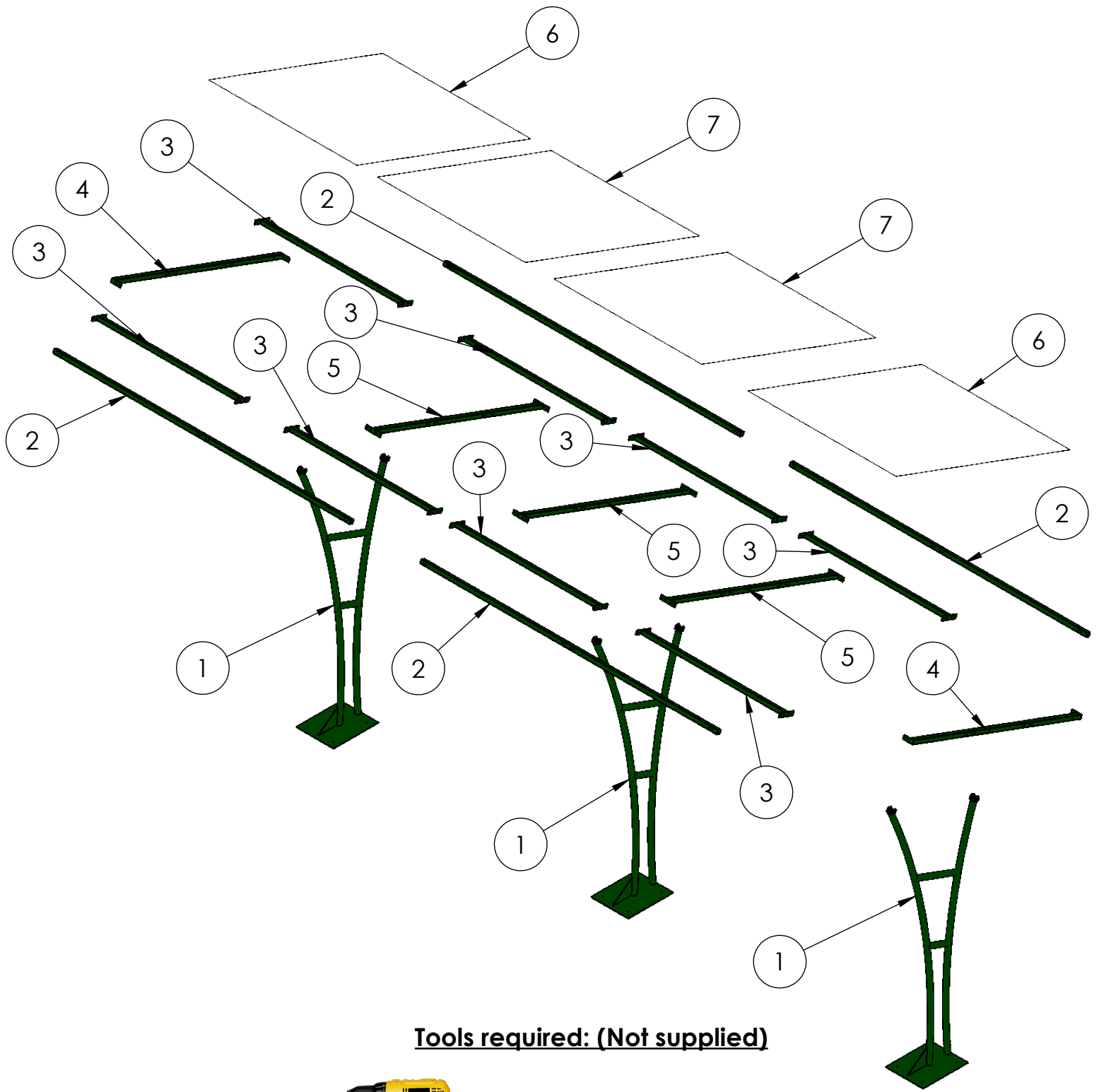


Email: [sales@shelters4less.co.uk](mailto:sales@shelters4less.co.uk)  
Web: [www.shelters4less.co.uk](http://www.shelters4less.co.uk)  
Tel: 0800 160 1002

**Shelter type: York 8m**

**SR0088-02-27022017-UK**

# Exploded View



## Tools required: (Not supplied)

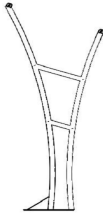
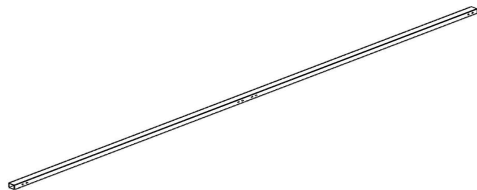
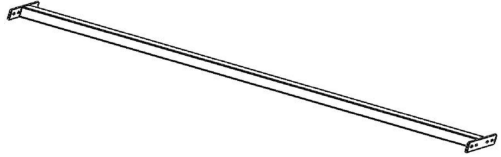
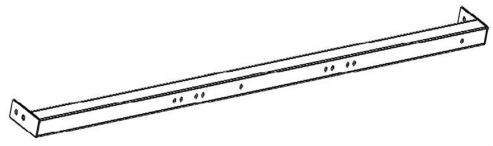
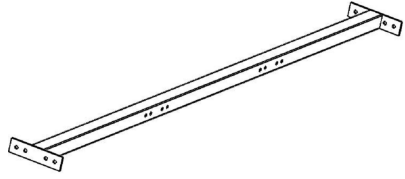
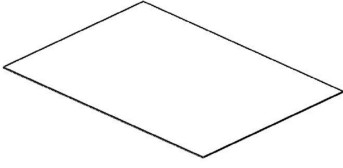
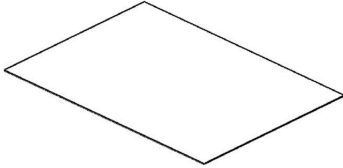


Drill/Screwdriver



Socket set

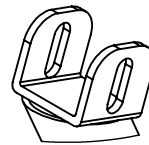
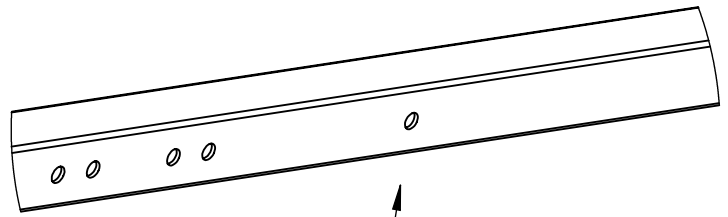
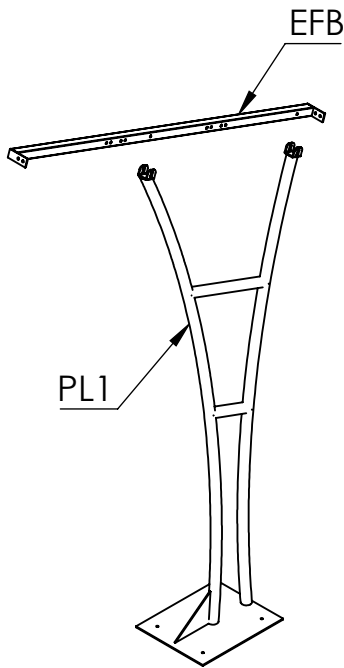
# PARTS LIST & FITTINGS

ITEM NO.	PART NO.	DESCRIPTION	IMAGE	QTY.
1	PL1	Peveril Leg		3
2	FRB	Front / Rear Bar		4
3	CFB1	Central Frame Bar 1		8
4	EFB	End Frame Bar		2
5	CFB2	Central Frame Bar 2		3
6	RP	Roof Panel		2
7	CRP	Central Roof Panel		2

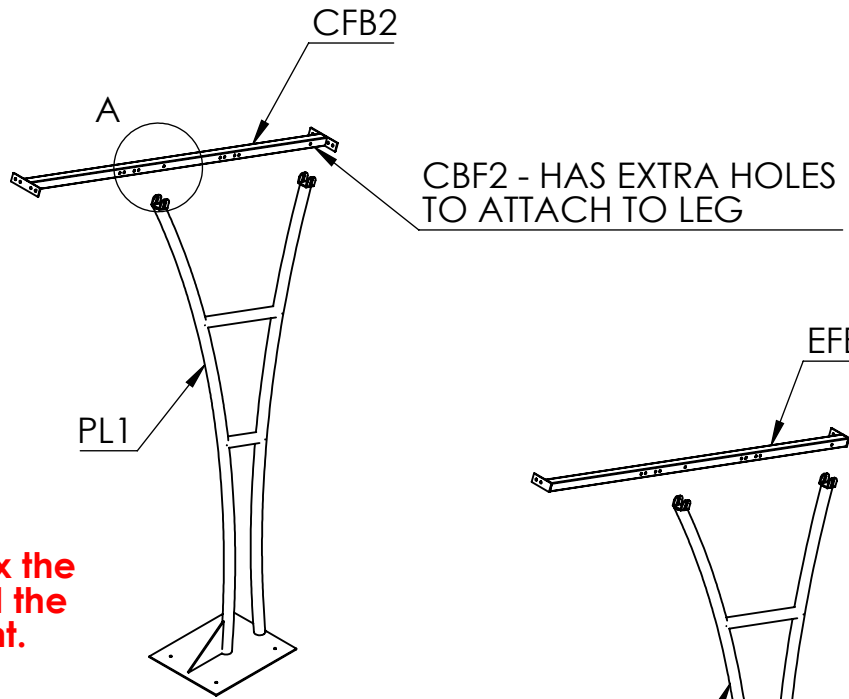
<b>Fittings</b>	M10 x 100 Anchor Bolt	M10 x 80 Hex head bolt	M10 Nuts	M10 Standard Washers	M12 Standard Washers	25mm Tech screws	M10 Plastic bolt caps
<b>QTY.</b>	12	78	78	156	12	180	168
<b>Image</b>							

# Step 1 Attach Both EFB End Bars & CFB2 Central Tie Bar 2 to PL1 Pveril Legs.

2 people are recommended to fit this shelter.

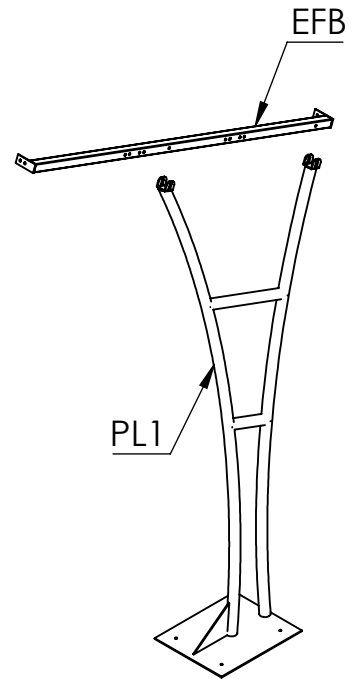
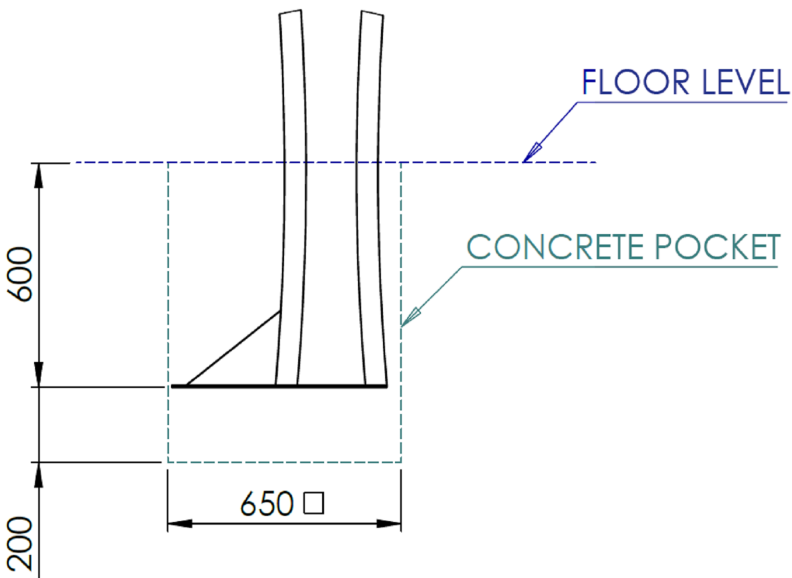


DETAIL A  
SCALE 1 : 5

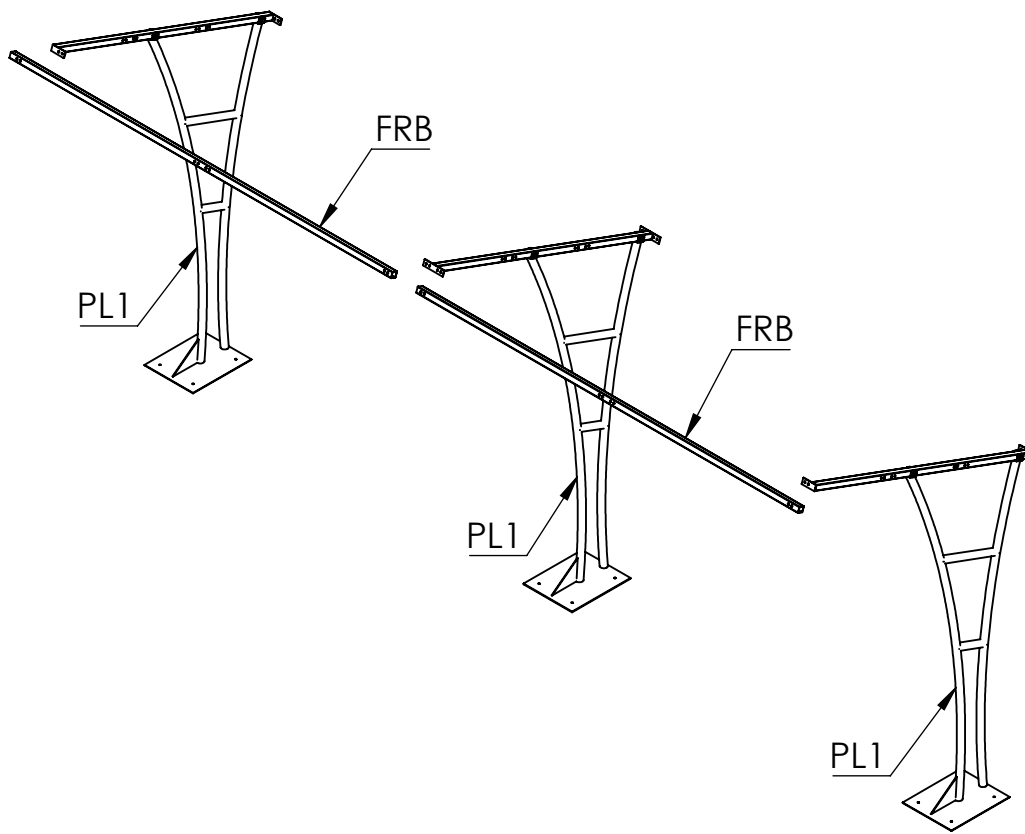


**Note: Move legs to desired location (shelter must be sub surfaced 800mm minimum). Fix the central post in place and build the rest of the shelter from this point.**

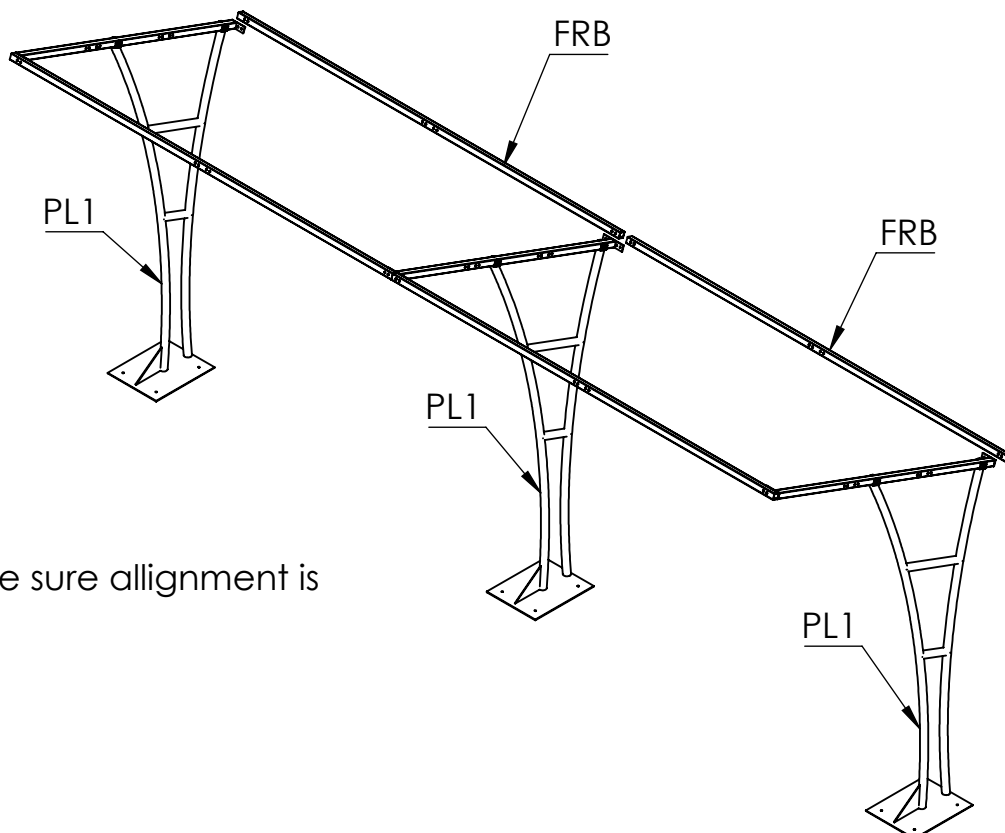
## Recommended Base:



**Step 2** Loosely fasten **FRB Front/Rear Bar** to **PL1 Peveril legs**, this gives you the outside post positions.

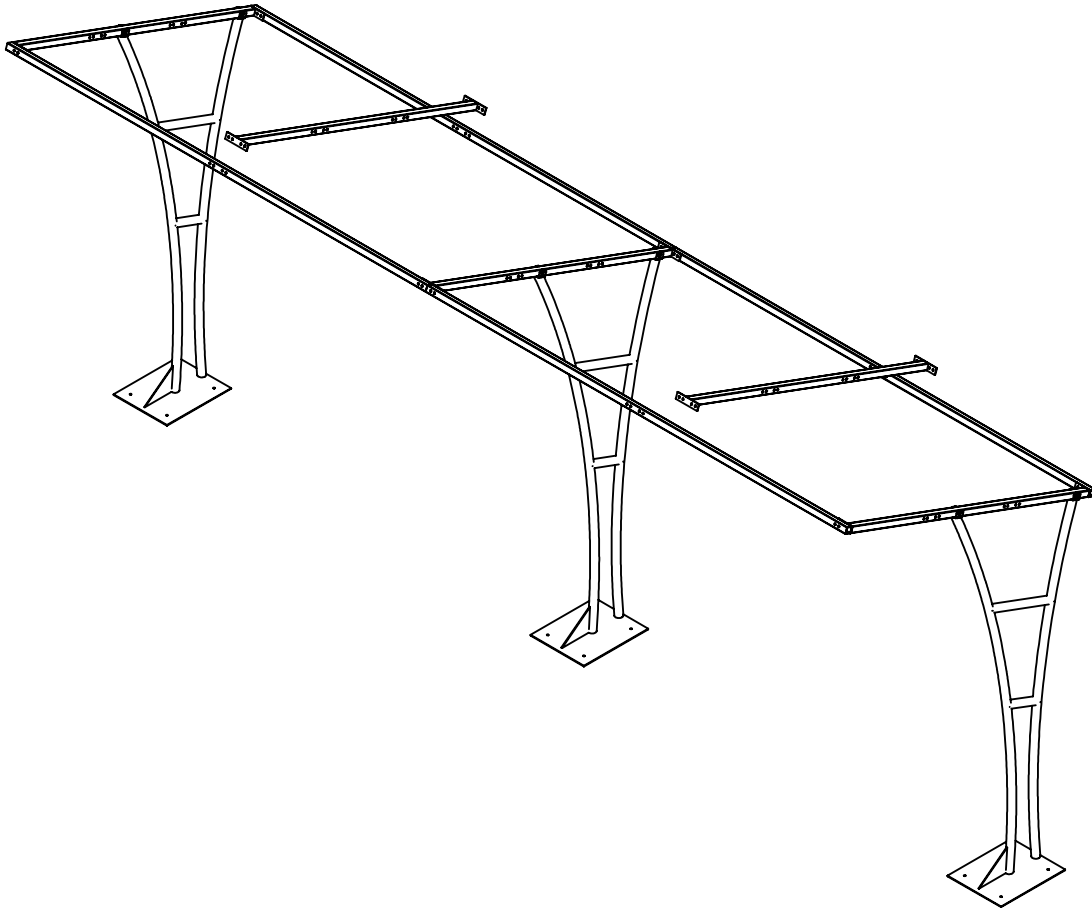


**Step 3** Do the same for the rear of the shelter and secure the outside foot plates in position.

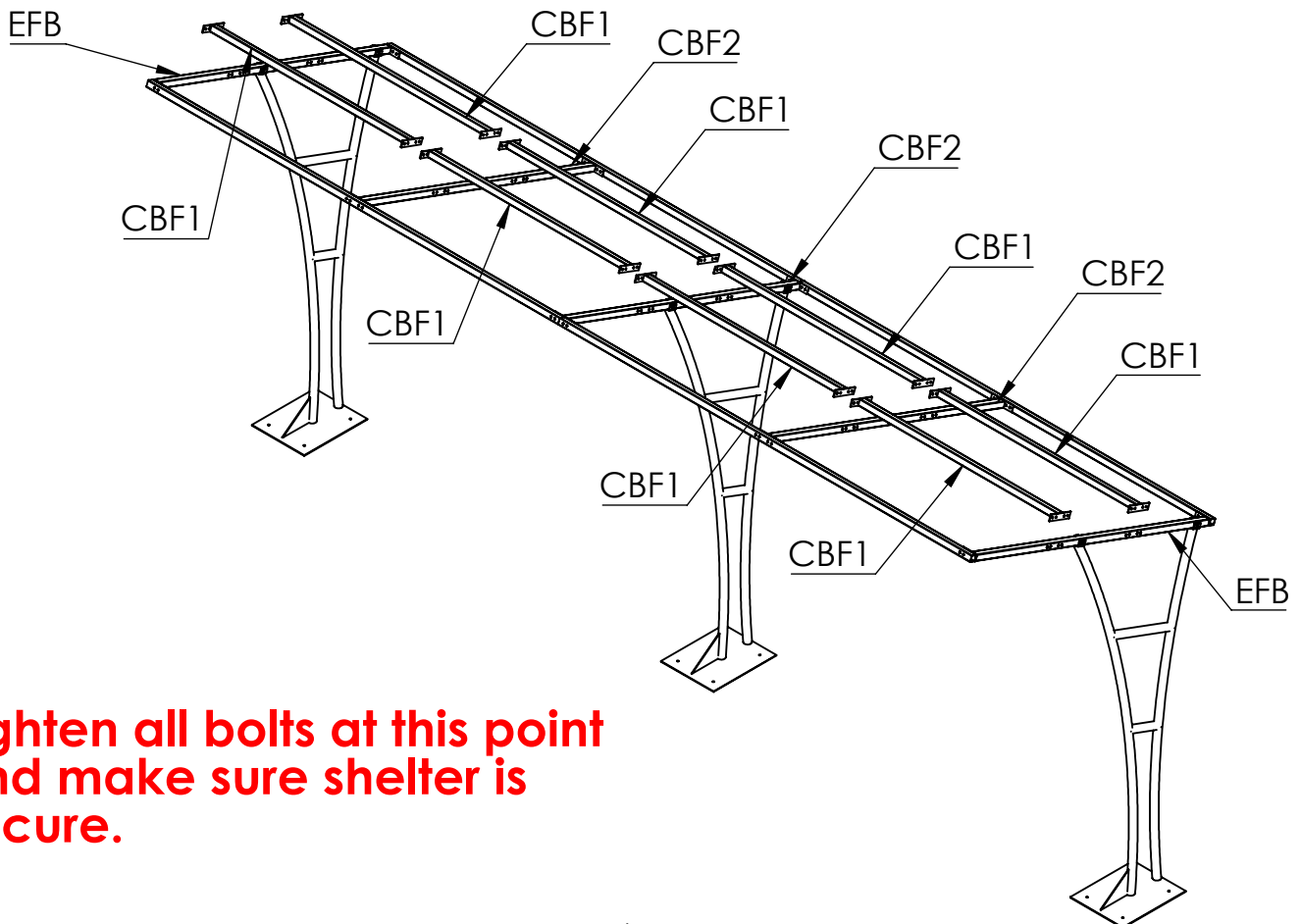


Note: Make sure allignment is correct

**Step 4** Bolt the 2 remaining **CFB2 Central Frame Bar 2** to **EFB End Frame Bars**.

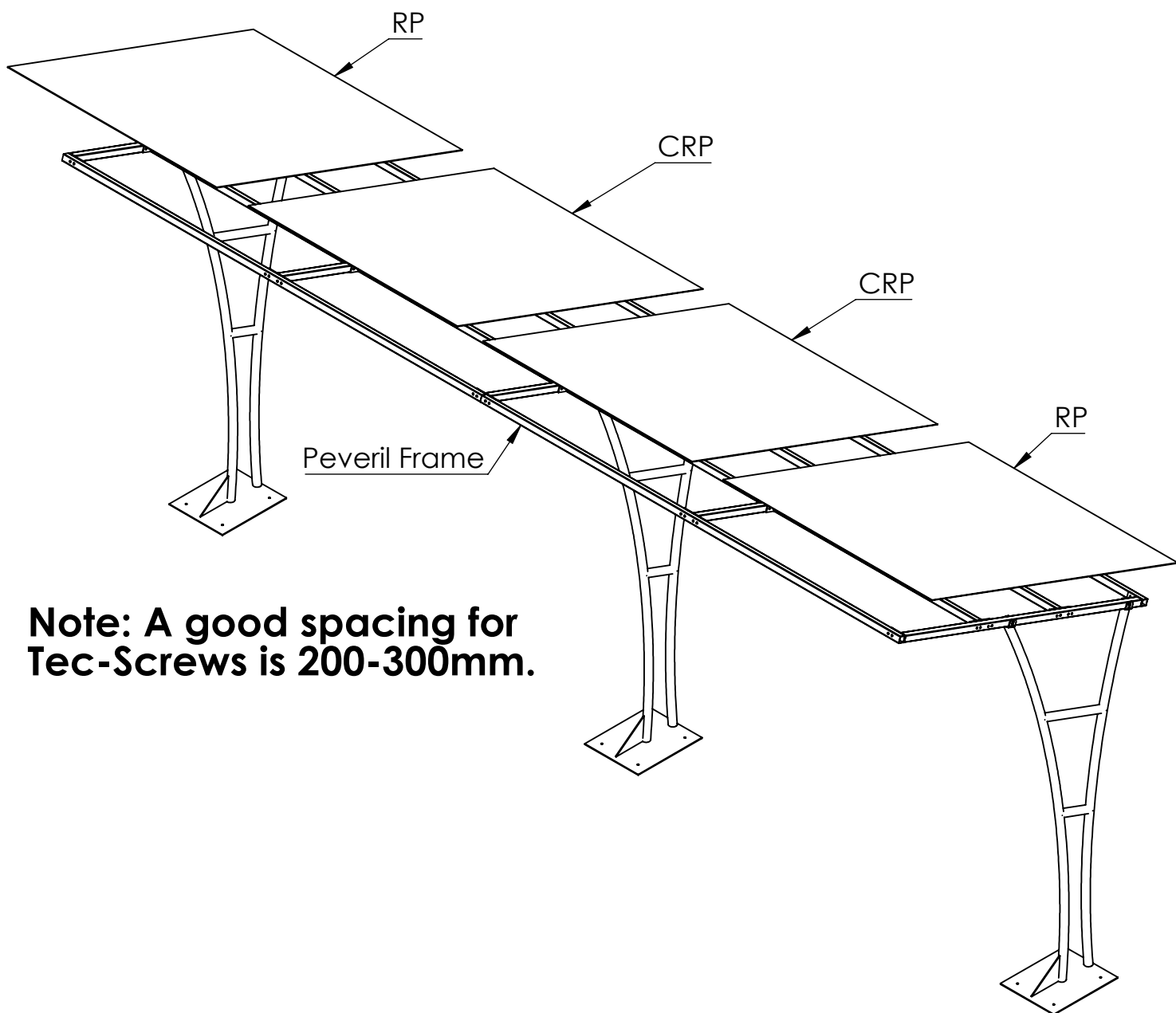


**Step 5** Secure all **CFB1 Central Frame Bars** to **CFB2's Central Frame Bars 2** & **EFB End Frame Bars**



**Tighten all bolts at this point and make sure shelter is secure.**

**Step 6** Screw the **RP** Roof Panel to the top of the frame with a 10mm gap to the edge of the frame on both sides and at the front/back. Space the central roof Panels (**CRP**) evenly between them. the gaps should all be as close as possible to 10mm.



**Note: A good spacing for Tec-Screws is 200-300mm.**

# THANK YOU FOR PURCHASING THIS PRODUCT

## MAINTENANCE:

To ensure your products give you many years of use we recommend that you:

- Clean panels regularly with soapy water
- Ensure all fittings are tight (for example after a big storm)
- Touch up any exposed metal should it get scratched

## CONTACT DETAILS:

Email : [Sales@shelters4less.co.uk](mailto:Sales@shelters4less.co.uk)

Web : [www.shelters4less.co.uk](http://www.shelters4less.co.uk)

Tel : 0800 160 1002

Shelters4Less, Unit 3, 2 Lansdowne Crescent, Bournemouth, BH1 1SA

<b>All Parts and Fixings checked by:</b>	
Print Name:	Signature: